

## STEPS TO BUILD A SHED

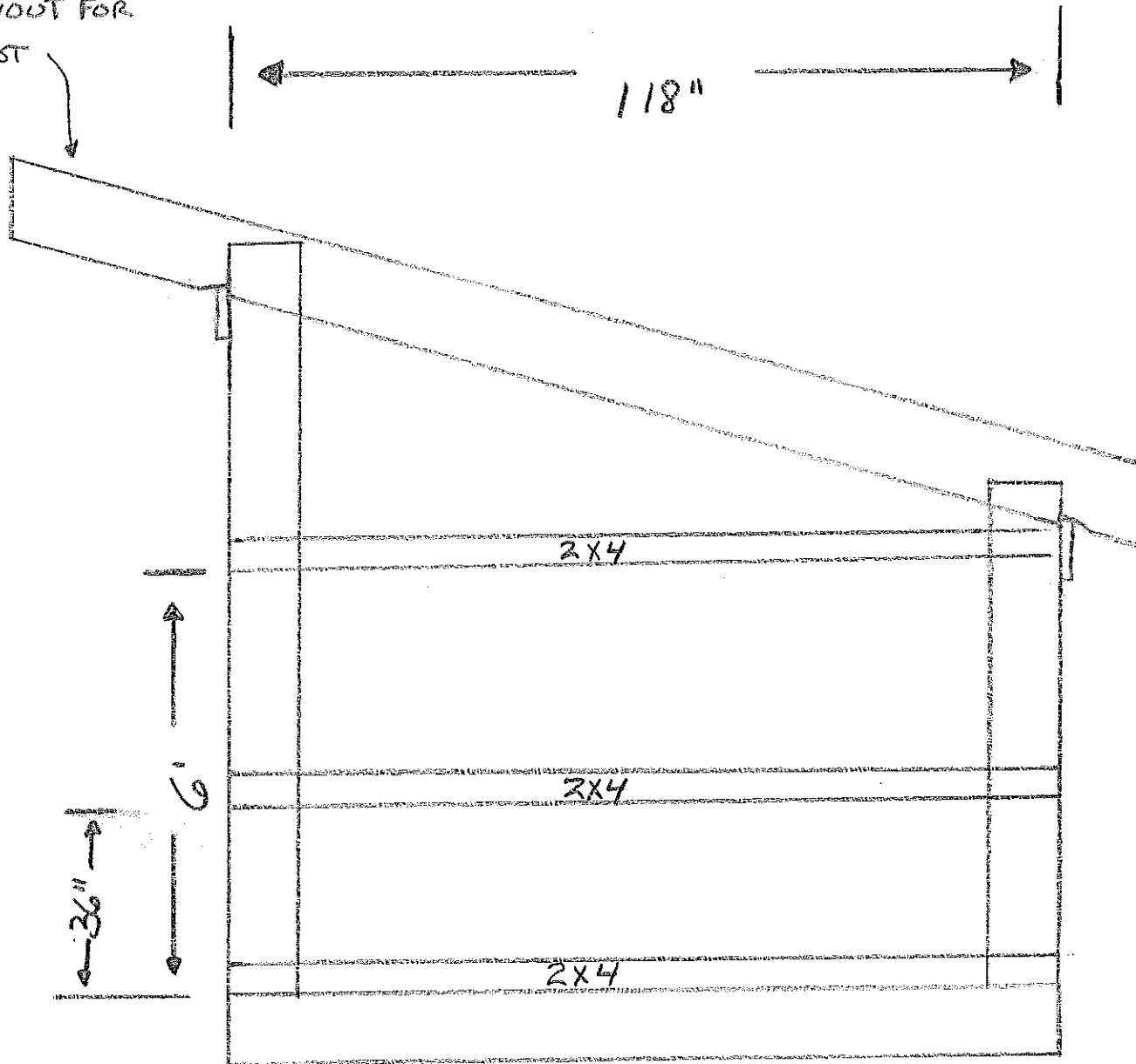
1. Order lumber to quantity on material list
2. Cut all lumber and notch to all sizes
3. Assemble base to print. Note: Make sure overall dimensions are as close as possible.
4. Square base by criss-cross measuring.
5. Nail upright posts per print.
6. Nail on 2x4's and headers per print
7. Nail on roof rafters
8. Cut and nail up siding. Note: If base isn't level, you can't level uprights, you must square walls by criss-cross measuring before nailing on siding.
9. Measure, cut and nail on trim.
10. Put roof CDX board on and nail. Note: use metal spacers between wood on each row going up.
11. Put drip edge on and then shingle.

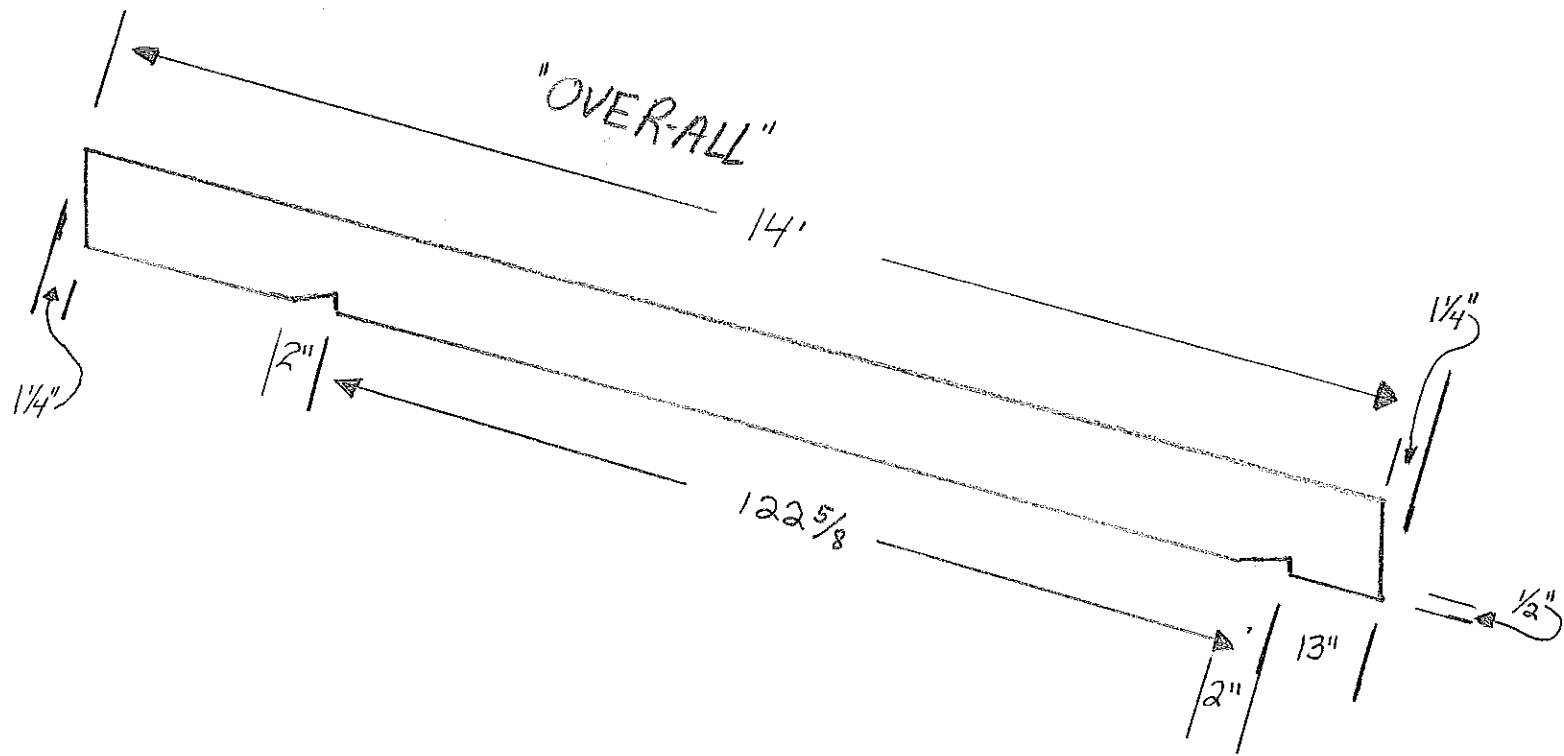
**Note:** You can use tar paper first. If you are in a high wind area, you may use high-wind resistant shingles. It is best to shingle in Spring and Summer because the shingles will have a chance to seat with the warm weather. It is not advisable to shingle in cold winter weather.

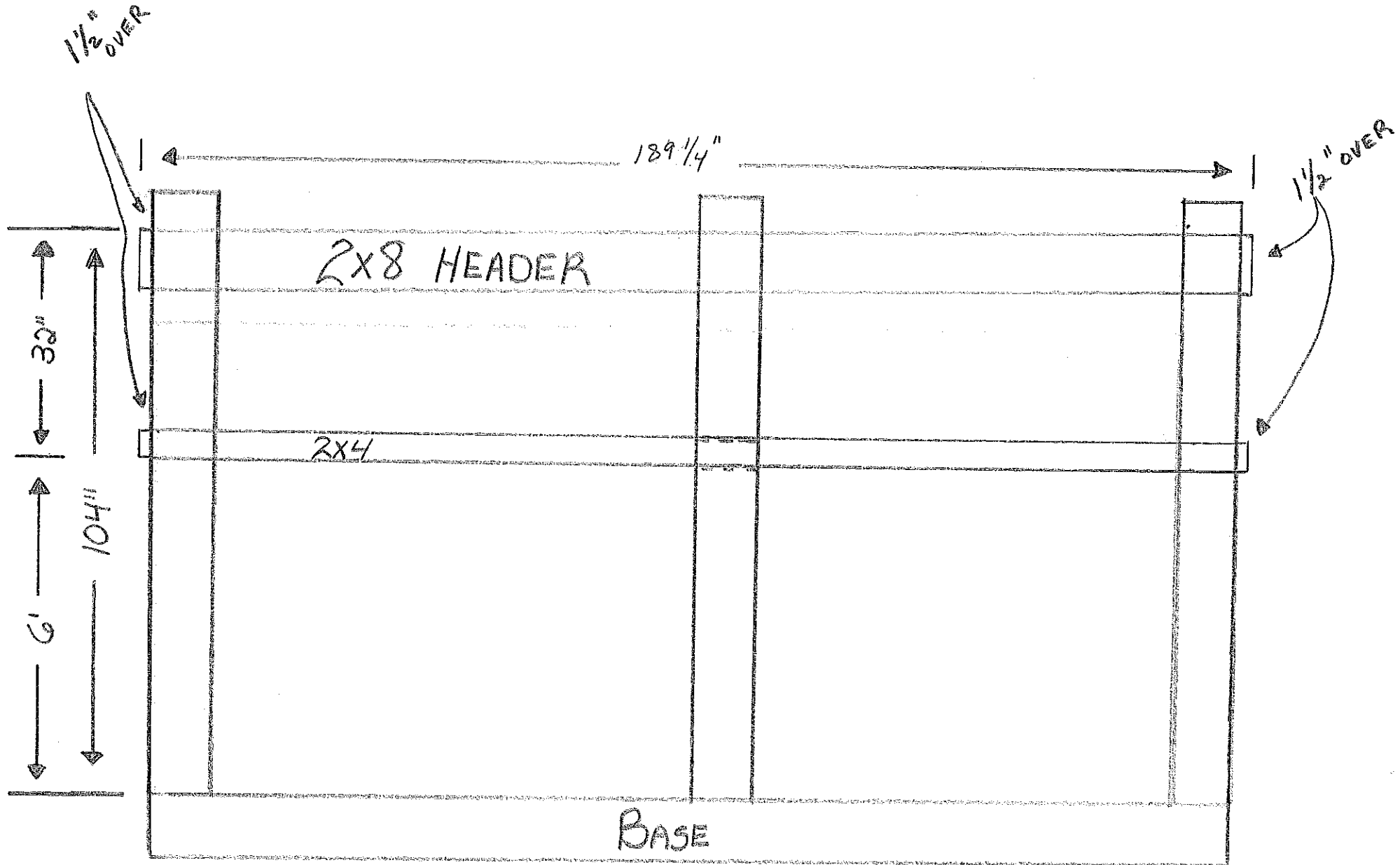
## MATERIALS LIST FOR SHELTERS

<u>QTY</u>	<u>LENGTH</u>	<u>MATERIAL</u>	<u>TYPE</u>
2	18'	6X6	CCA
	Cut notches to print.		
1	10'	4X4	CCA
	Cut to 114".		
5	10'	4X6	CCA
	Cut 2 to 118" and notch. Cut 3 to 107.5" and notch 1 to print.		
3	8'	4X6	CCA
	Cut 3 to 80" and notch 1 to print.		
3	16'	2X4	WW
	Cut 3 to 189 1/4".		
2	16'	2X8	WW
	Cut 2 to 189 1/4".		
13	14'	2X6	WW
	Cut 13 and square ends to exactly 14'. Notch and angle to print.		
6	10'	2X4	WW
	Cut 6 to 118".		
11	5/8	4X8	T-1-11 Pine or Fir
7	7/16	4X8	OSB
2	14'	1X8	WW
2	16'	1X8	WW
4	10'	1X4	WW
2.5	SQUARE	Shingle	
4	8'	1X4	WW
1	8'	1x4	WW
5	10'	Drip edge	
<hr/>			
Hay Loft Materials-optional			
6	8'	2X4	WW
2	5/16	4X8	OSB

See LAYOUT FOR  
ROOF JOIST

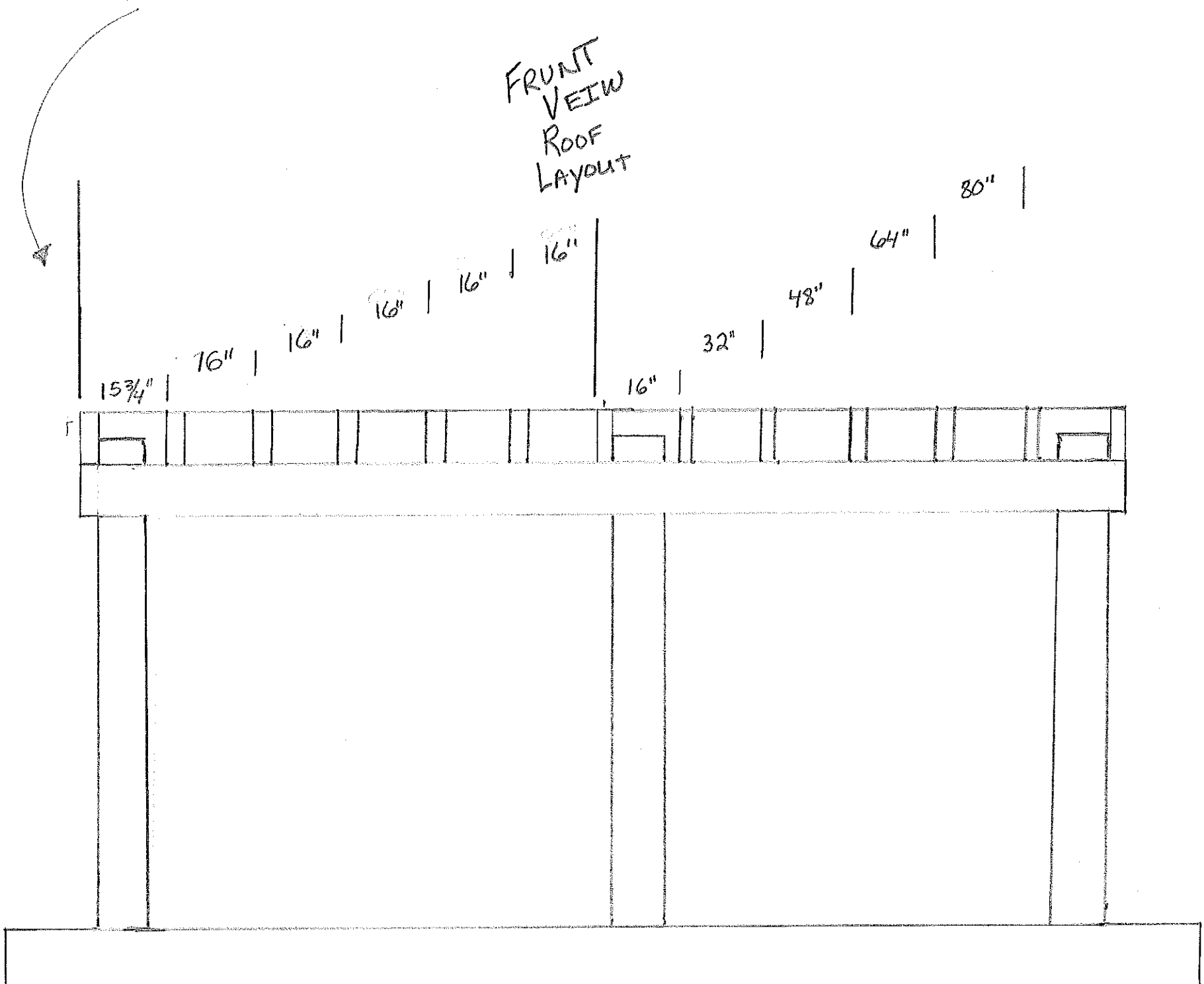


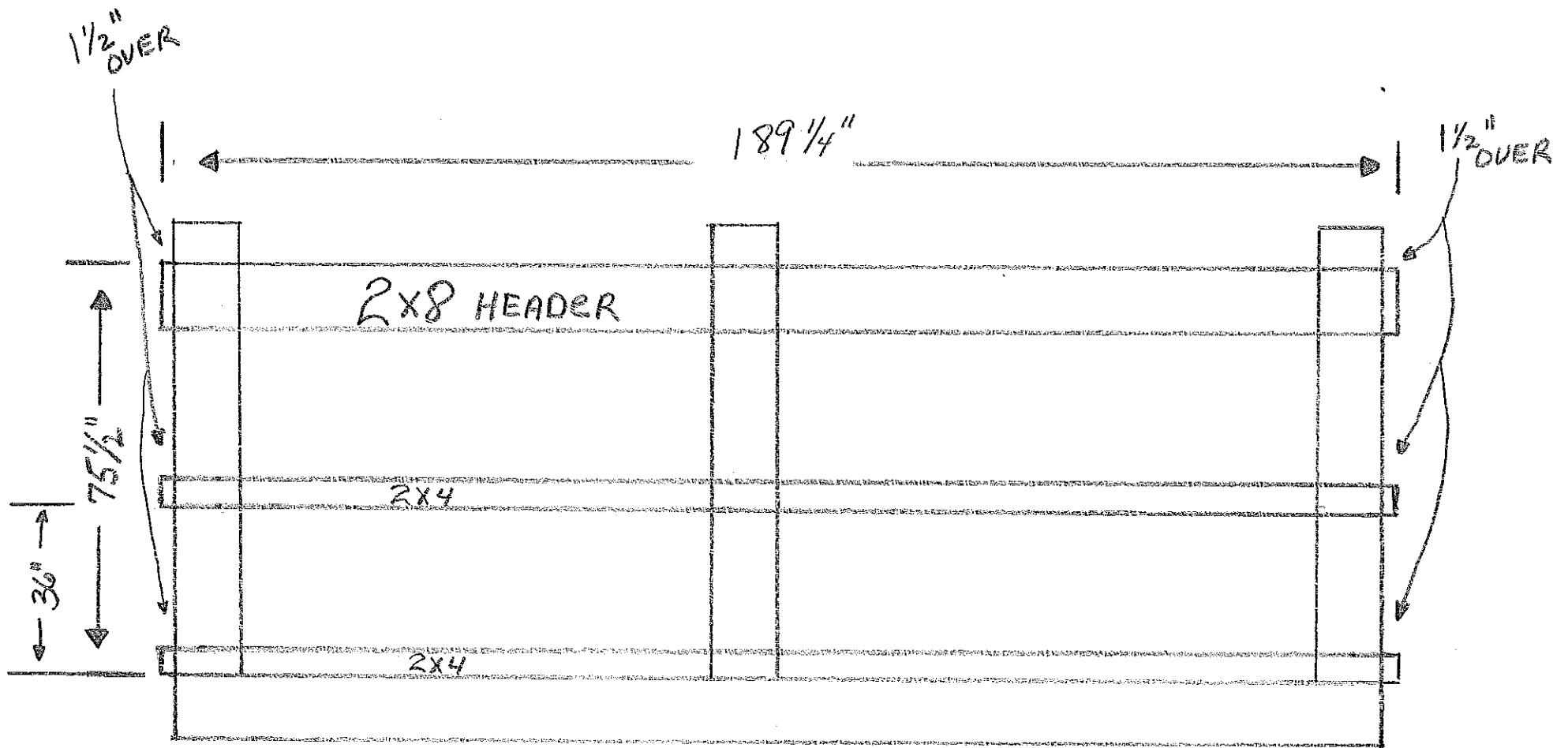




NOTE: LAYOUT FROM THIS SIDE ONLY  
FRONT + BACK.

FRONT  
VIEW  
ROOF  
LAYOUT





95 3/4"

